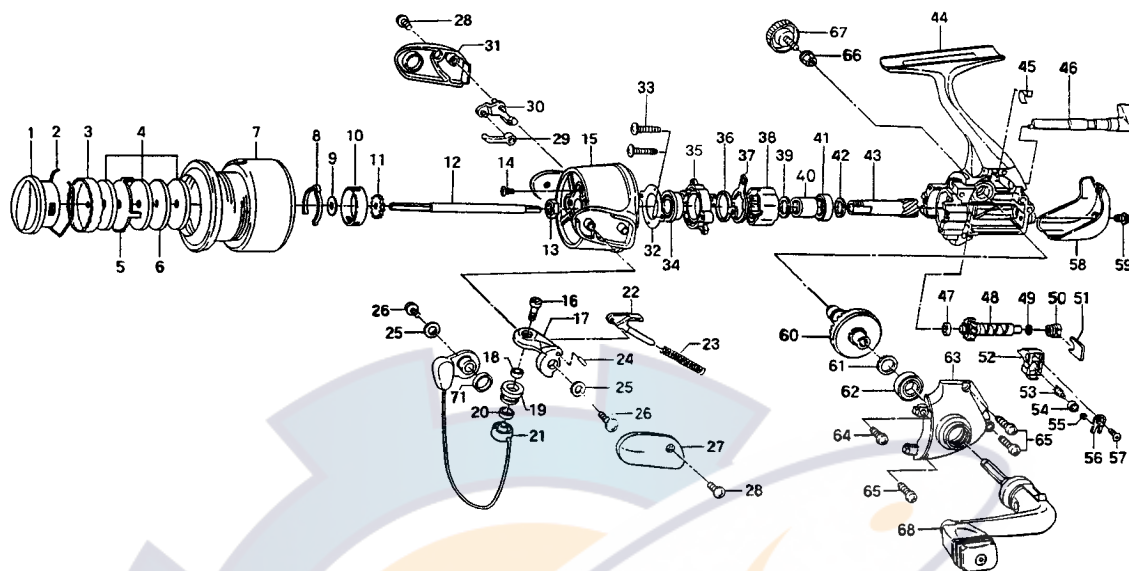


SS2-1500C / 2000C



| Key No. | Parts No. | Parts Name | Key No. | Parts No. | Parts Name |
|---------|-----------|--------------------------|---------|-----------|------------------------|
| 2-7 | G03-5401 | SPOOL | 38 | F62-2001 | ROLLER CLUTCH |
| 1 | G03-5601 | DRAG KNOB | 39 | 375-8509 | ROLLER CLUTCH WASHER |
| 2 | F74-2501 | DRAG WASHER RET | 40 | F73-2501 | SPACING SLEEVE |
| 3 | F69-0201 | DRAG KNOB CLICK PLT | 41 | 637-5702 | BALL BEARING C |
| 4 | F69-2301 | DRAG WASHER A | 42 | F78-1002 | PINION COLLAR |
| 5 | F69-0101 | EARED WASHER | 43 | F93-5501 | PINION GEAR |
| 6 | F69-0001 | DRAG WASHER B | 44 | G03-4701 | BODY |
| 8 | F70-4901 | SPOOL CLICK LEAF SPRING | 45 | F65-1901 | A/R CAM SPRING |
| 9 | E39-4001 | SPOOL WASHER | 46 | F65-1802 | A/R LEVER |
| 10 | E12-2303 | CLICK LEAF SPRING HOLDER | 47 | F65-2201 | WORM SHAFT BUSH |
| 11 | E36-5301 | CLICK GEAR | 48 | F98-5001 | WORM SHAFT |
| 12 | F65-2701 | MAIN SHAFT | 49 | 375-4101 | WORM SHAFT WASHER |
| 13 | 341-9204 | ROTOR NUT | 50 | F65-2301 | WORM SHAFT COLLAR |
| 14 | B55-7601 | ROTOR NUT LOCK SCREW | 51 | F65-2401 | WORM SHAFT RET |
| 15 | F63-3712 | ROTOR | 52 | F65-2601 | OSC SLIDER |
| 16 | F62-5202 | LINE ROLLER SCREW | 53 | F89-1701 | OSC PAWL |
| 17 | F62-3511 | BAIL ARM | 54 | F91-3001 | OSC PAWL BUSH |
| 18 | G02-0801 | BALL BEARING A | 55 | 375-0801 | OSC PAWL WASHER |
| 19 | F62-5001 | LINE ROLLER | 56 | F62-2901 | OSC SLIDER COVER |
| 20 | F70-1801 | LINE ROLLER COLLAR | 57 | E15-0205 | OSC SLIDER COVER SCREW |
| 21 | G03-5301 | BAIL | 58 | G03-2203 | REAR COVER |
| 22 | F69-1104 | BAIL SPRING SHAFT | 59 | E24-8103 | REAR COVER SCREW |
| 23 | F74-2401 | BAIL SPRING | 60 | F65-2801 | DRIVE GEAR |
| 24 | F62-3701 | BAIL ARM SCREW | 61 | 375-8502 | DRIVE GEAR WASHER |
| 25 | F63-1801 | BAIL HOLDER WASHER | 62 | 637-5702 | BALL BEARING D |
| 26 | 351-6104 | BAIL HOLDER SCREW | 63 | F65-3010 | SIDE COVER |
| 27 | F63-1906 | BAIL SPRING COVER | 64 | E15-7501 | SIDE COVER SCREW A |
| 28 | 352-2503 | BAIL SPRING COVER SCREW | 65 | E13-0502 | SIDE COVER SCREW B |
| 29 | F62-4601 | BAIL TRIP PLT | 66 | F40-4801 | HANDLE COLLAR |
| 30 | F72-7201 | BAIL TRIP LEVER | 67 | F03-5601 | HANDLE LOCK SCREW |
| 31 | F63-7004 | BAIL TRIP COVER | 68 | G10-2101 | HANDLE |
| 32 | F92-5801 | BEARING RET A | 71 | F77-7701 | BAIL HOLDER COLLAR |
| 33 | E24-7402 | BEARING RET SCREW | | | |
| 34 | F22-6701 | BALL BEARING B | | | |
| 35 | F92-4801 | BEARING RET B | | | |
| 36 | F67-5401 | ROLLER CLUTCH RET | | | |
| 37 | F62-2201 | A/R LEVER RET | | | |

SS2-2000C Special Parts

| Key No. | Parts No. | Parts Name |
|---------|-----------|------------|
| 2-7 | G03-5701 | SPOOL |